

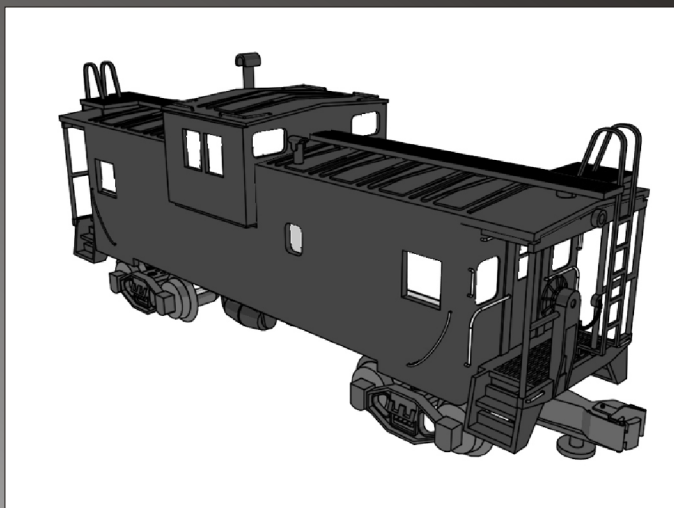


# M.T.H.

ELECTRIC TRAINS, INC.

7020 Columbia Gateway Drive  
Columbia, MD 21046-1532

[www.mth-railking.com](http://www.mth-railking.com)



The Premier Extended Vision Caboose offers a new level of excitement and realism for your O Gauge model railroad. Constructed from sturdy ABS plastic, the Extended Vision Caboose was created from quality components and has been designed for years of operation.

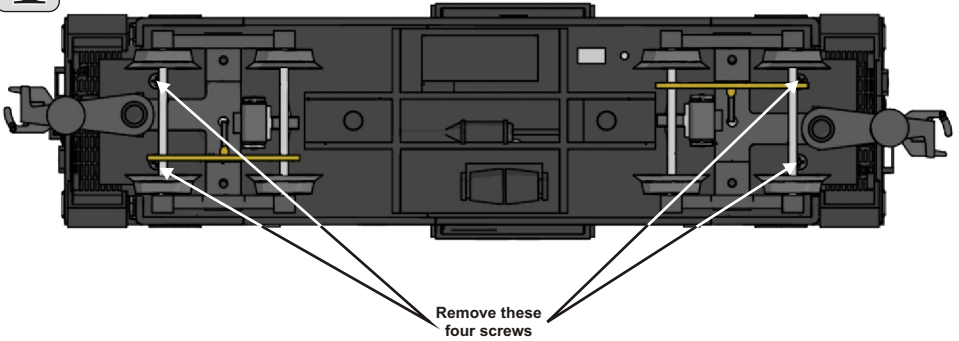
The Premier Extended Vision Caboose comes fully assembled, decorated and ready for use right out of the box. The Extended Vision Caboose features an illuminated interior and exterior marker lights, controlled from track power. Use and operation is made easy by following the instructions on the following pages.

# Extended Vision Caboose

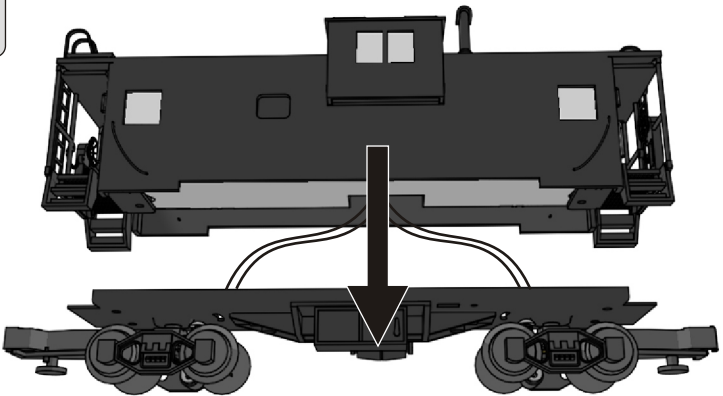
# INSTRUCTIONS

To replace the interior light bulbs, follow these steps. **STEP 1** To remove the shell from the chassis, remove the four mounting screws located underneath the trucks. **STEP 2** With the four screws removed, lower the chassis from the shell, take care not to pull the wires out.

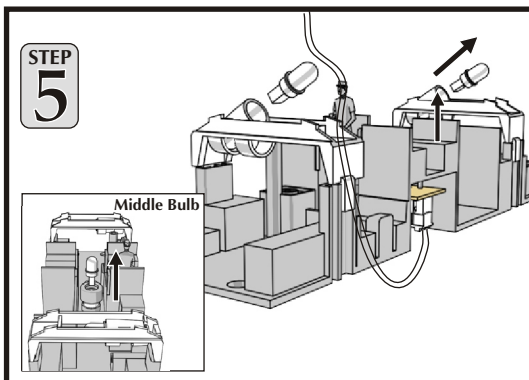
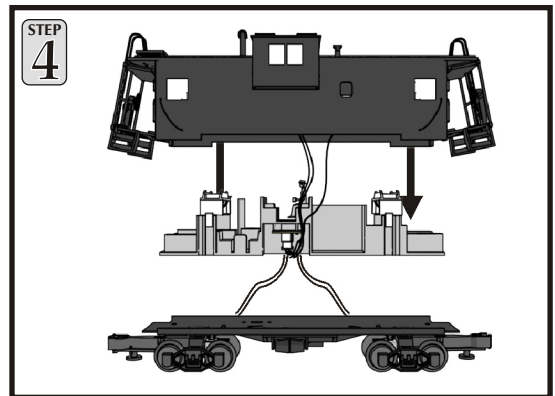
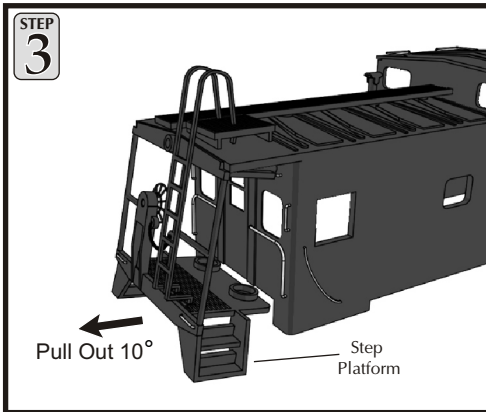
**STEP**  
**1**

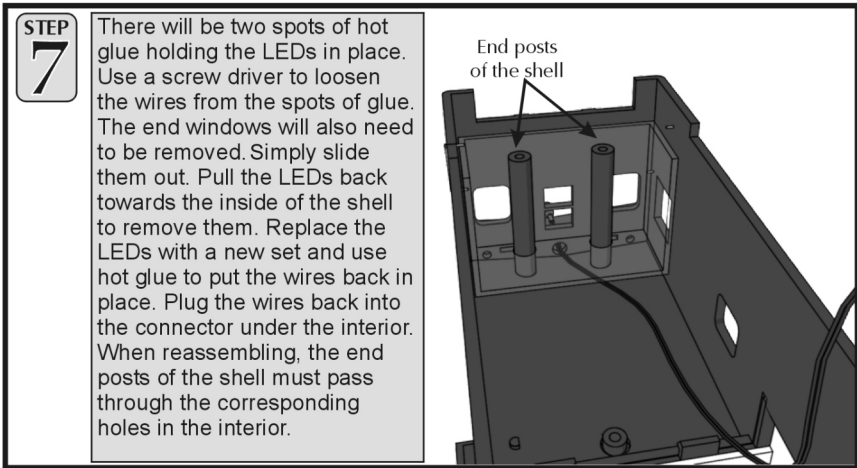
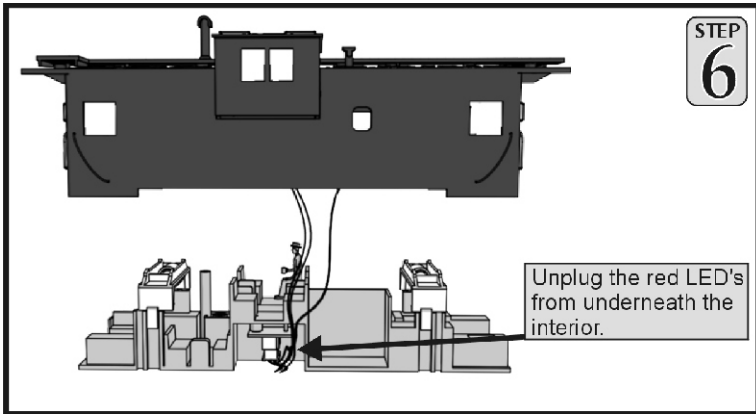


**STEP**  
**2**



**STEP 3** To be able to separate the interior from the shell you need to loosen the step platform from both ends. In order to loosen the step platforms grasp them by the bottom and pull out from the end about 10°. **STEP 4** With the step platforms loosened you can then lower the interior from the shell (to completely remove the body from the interior, go to Step 6 which is found on page 4). **STEP 5** You can now replace the bulbs by pushing the socket up from the bulb holder and pulling the bulb from its socket. Replace the middle bulb simply by pulling it from its socket. Replace with a new one, and reverse the steps to reassemble the caboose. To replace the two red LED lights at the end of the caboose follow steps 1-7.





**STEP**  
**7**

There will be two spots of hot glue holding the LEDs in place. Use a screw driver to loosen the wires from the spots of glue. The end windows will also need to be removed. Simply slide them out. Pull the LEDs back towards the inside of the shell to remove them. Replace the LEDs with a new set and use hot glue to put the wires back in place. Plug the wires back into the connector under the interior. When reassembling, the end posts of the shell must pass through the corresponding holes in the interior.

You can obtain replacement bulbs directly from the M.T.H. Parts Department (phone: 410-381-2580; e-mail: [parts@mth-railking.com](mailto:parts@mth-railking.com); mail: 7020 Columbia Gateway Drive, Columbia MD 21046-1532

# Service & Warranty Information

## How to Get Service Under the Terms of the Limited One-Year Warranty

When you suspect an item is defective, please check the operator's manual for standard operation and trouble-shooting techniques that may correct the problem. Additional information may be found on the M.T.H. Website. Should you still require service, follow the instructions below to obtain warranty service.

First, e-mail, write, call or fax a M.T.H. Authorized Service Center (ASC) in your area to obtain Repair Authorization. You can find the list of ASCs on the M.T.H. Website, [www.mth-railking.com](http://www.mth-railking.com). Authorized Service Centers are required to make warranty repairs on items sold *only* from that store; all other repairs may-- or may not be done at the store's own discretion. If you did not purchase the item directly from the ASC, you will need to select a National Authorized Service Center (NASC). These centers are compensated by M.T.H. to perform warranty service for any customer whose repair qualifies for warranty service. A list of NASC retailers can be located on the M.T.H. Website or by calling 410-381-2580. Should the warranty no longer apply, you may choose either an ASC or NASC retailer to service your M.T.H. Product. A reasonable service fee will be charged.

**CAUTION:** Make sure the product is packed in its original factory packaging including its foam and plastic wrapping material to prevent damage to the merchandise. There is no need to return the entire set if only one of the components is in need of repair *unless otherwise instructed by the Service Center*. **The shipment must be prepaid and we recommend that it be insured. A cover letter including your name, address, daytime phone number, e-mail address (if available), Return Authorization number (if required by the service center, a copy of your sales receipt and a full description of the problem must be included to facilitate the repairs. Please include the description regardless of whether you discussed the problem with a service technician when contacting the Service Center for your Return Authorization.**

Please make sure you have followed the instructions carefully before returning any merchandise for service. Authorized M.T.H. Service Centers are independently owned and operated and are not agents or representatives of M.T.H. Electric Trains. M.T.H. assumes no responsibility, financial or otherwise, for material left in their possession, or work done, by privately owned M.T.H. Authorized Service Centers. If you need assistance at any time email MTH Service at [service@mth-railking.com](mailto:service@mth-railking.com), or call 410 381-2580.

## Limited One-Year Warranty

**All M.T.H. products purchased from an Authorized M.T.H. Train Merchant are covered by this warranty.**

See our website at [www.mth-railking.com](http://www.mth-railking.com) or call 410-381-2580 to identify an Authorized M.T.H. Train Merchant near you.

M.T.H. products are warranted for one year from the date of purchase against defects in material or workmanship, excluding wear items such as light bulbs, pick-up rollers, batteries, smoke unit wicks, and traction tires. We will repair or replace (at our option) the defective part without charge for the parts or labor, if the item is returned to an M.T.H. Authorized Service Center (ASC) or M.T.H. National Authorized Service Center (NASC) within one year of the original date of purchase. This warranty does not cover damages caused by improper care, handling, or use. Transportation costs incurred by the customer are not covered under this warranty.

Items sent for repair must be accompanied by a return authorization number, a description of the problem, and a **copy of the original sales receipt from an Authorized M.T.H. Train Merchant**, which gives the date of purchase. If you are sending this product to an Authorized Service Center, contact that Center for their return authorization.

This warranty gives you specific legal rights, and you may have other rights that vary from state to state. Specific questions regarding the warranty may be forwarded to M.T.H. Directly

Service Department:  
M.T.H. Electric Trains  
7020 Columbia Gateway Drive