



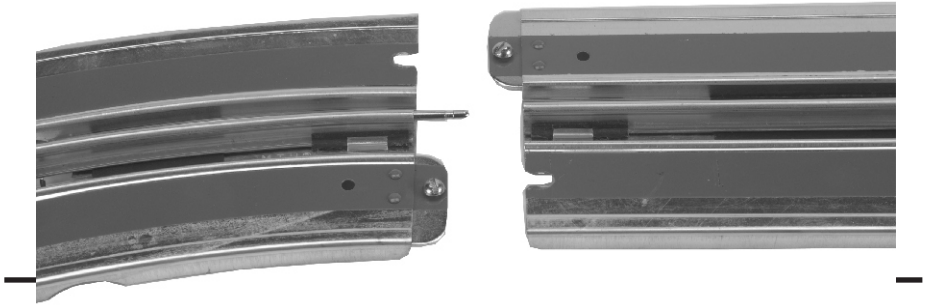
www.lionelcorporation.com

No. 85
Race Car Set
OPERATOR'S MANUAL

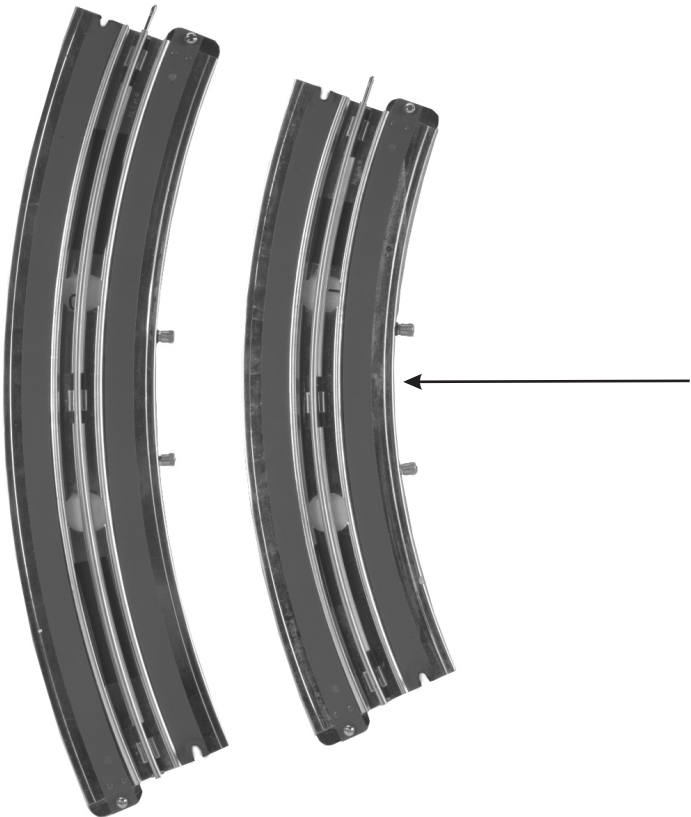
PLEASE READ BEFORE USE AND SAVE

Assembling the Racetrack

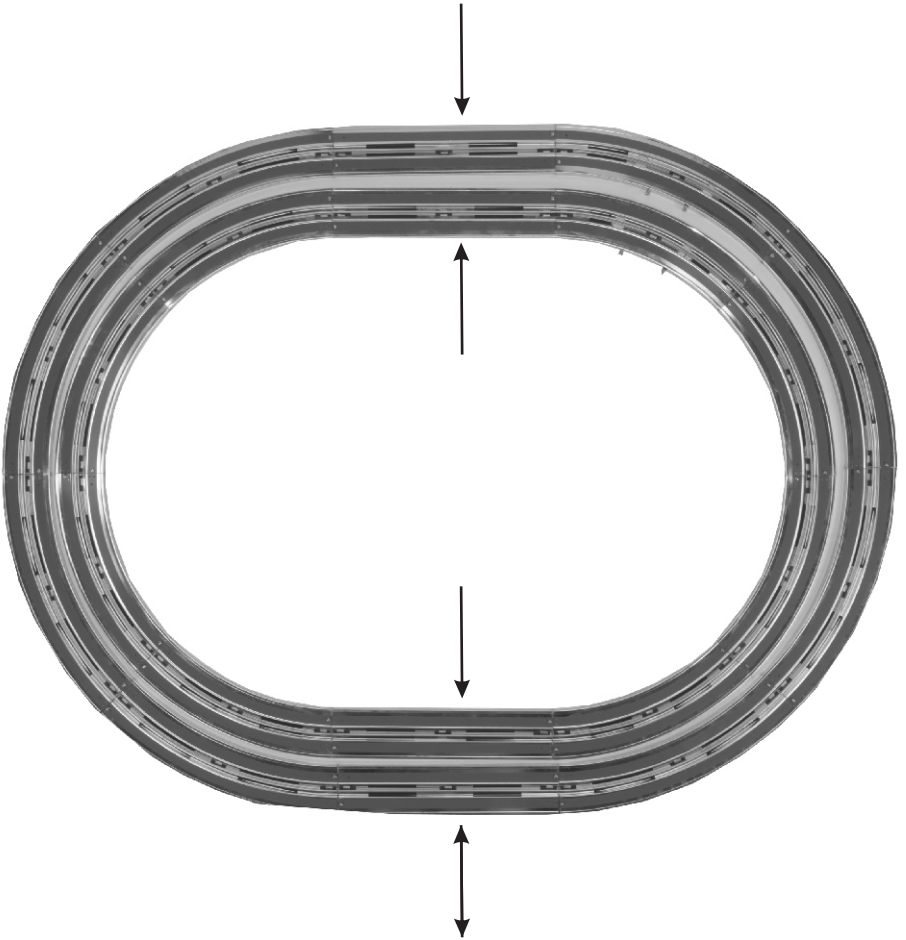
Connect the track sections by inserting the center rail pin into the center rail opening and lining up each screw into its corresponding slot:



To set up one track oval inside the other, assemble the shorter curved tracks on the inside track oval:



Each track oval uses one straight section on each side of the oval:



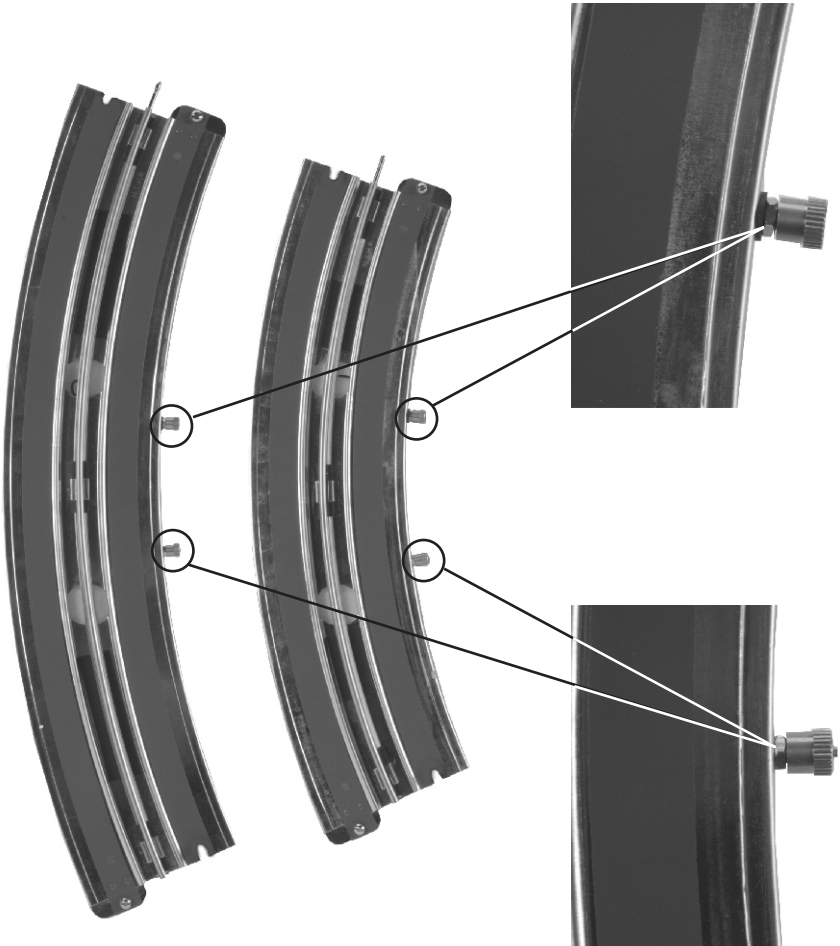
To ensure proper performance of your No. 85 Race Car Set, we recommend installing the racetrack ovals on a hard flat surface, using #6 x 5/8" panhead screws to mount the track to the surface.

If installing one track oval inside the other, center the inside oval within the outside oval to ensure consistent clearance distances between the inside and outside track ovals.

Do not allow the terminals of the outside track to make contact with the inside track bed.

Wiring the Racetrack

Connect the track oval(s) to your transformer power supply, wiring the binding post with the black insulating washer to your transformer power supply's ground/common terminal, and the non-insulated post to your transformer power supply's output terminal:



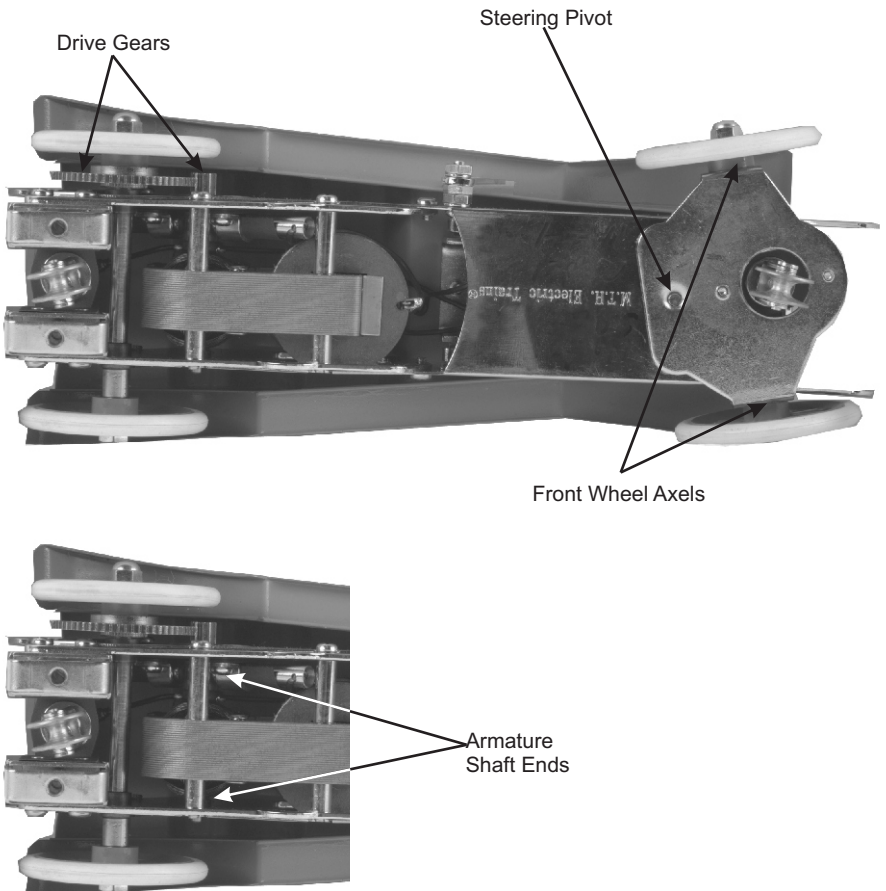
The recommended operating voltage range for the No. 85 Race Car Set is 10-20v AC or DC. Make sure the terminals of the outer track do not contact the inside track.

Lubricating the Race Cars

Lubricate the Race Cars before running them, and periodically thereafter to avoid wear on the mechanical parts and ensure smooth operation of your Race Cars for years to come.

Use 10w-40 or 10w-30 motor oil to lubricate the moving parts of the Race Cars as shown below. A toothpick can be used to apply oil. A cotton ball may be used to remove excess oil.

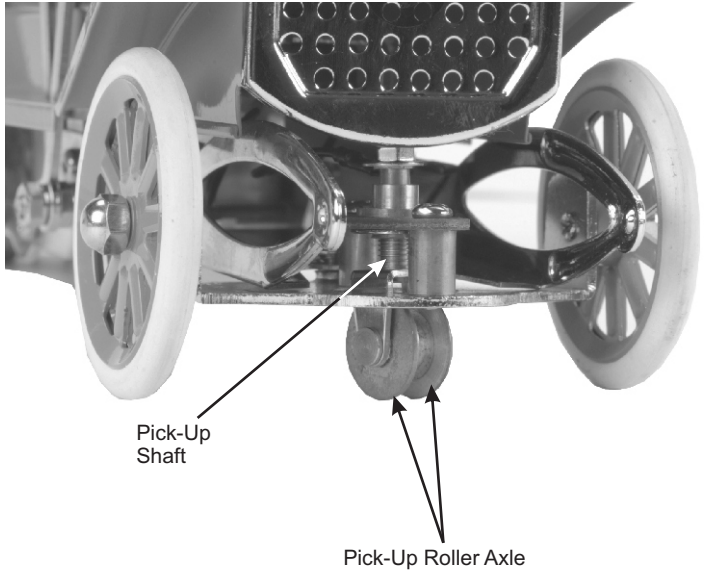
Note: *Apply oil between steering plate and chassis. Do not apply oil on the bottom of pivot pin*



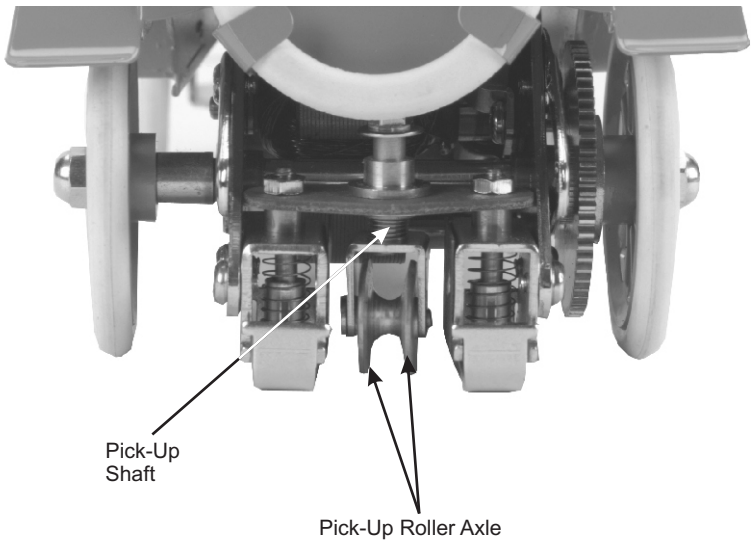
Use one or two drops of oil on each part; do not over oil.



Car Front



Car Rear



Maintenance

Racetrack

Periodically check the wheels and pick-up rollers for dirt and buildup, which can cause poor electrical contact and prematurely wear out the tires. Tires can be removed and cleaned in soap and water.

The track's center rail may be cleaned using MTH track cleaner and a clean soft cloth.

Racecars

Lubricate the Race Cars periodically, following the instructions in the “Lubricating the Race Cars” section on page 5.

CAUTION: ELECTRICALLY OPERATED PRODUCT:

Recommended for Ages 14 and up. Not recommended for children under 14 years of age without adult supervision. As with all electric products, precautions should be observed during handling and use to prevent electric shock.

WARNING: When using electrical products, basic safety precautions should be observed, including the following: Read this manual thoroughly before using this device.

- M.T.H. recommends that all users and persons supervising use examine the hobby transformer and other electronic equipment periodically for conditions that may result in the risk of fire, electric shock, or injury to persons, such as damage to the primary cord, plug blades, housing, output jacks or other parts. In the event such conditions exist, the train set should not be used until properly repaired.
- Do not operate your layout unattended. Obstructed accessories or stalled trains may overheat, resulting in damage to your layout.
- This train set is intended for indoor use. Do not use if water is present. Serious injury or fatality may result.
- Do not operate the hobby transformer with damaged cord, plug, switches, buttons or case.

This product may be protected by one or more of the following patents: 6,019,289; 6,280,278; 6,281,606; 6,291,263; 6,457,681; 6,491,263; 6,604,641; 6,619,594; 6,624,537; 6,655,640.

©2009, M.T.H. Electric Trains®, Columbia, MD 21046

Service & Warranty Information

How to Get Service Under the Terms of the Limited One-Year Warranty

When you suspect an item is defective, please check the operator's manual for standard operation and troubleshooting techniques that may correct the problem. Additional information may be found on the M.T.H. Website. Should you still require service, follow the instructions below to obtain warranty service.

First, e-mail, write, call or fax a M.T.H. Authorized Service Center (ASC) in your area to obtain Repair Authorization. You can find the list of ASCs on the M.T.H. Website, www.mth-railking.com. Authorized Service Centers are required to make warranty repairs on items sold *only* from that store; all other repairs may-- or may not be done at the store's own discretion. If you did not purchase the item directly from the ASC, you will need to select a National Authorized Service Center (NASC). These centers are compensated by M.T.H. to perform warranty service for any customer whose repair qualifies for warranty service. A list of NASC retailers can be located on the M.T.H. Website or by calling 410-381-2580. Should the warranty no longer apply, you may choose either an ASC or NASC retailer to service your M.T.H. Product. A reasonable service fee will be charged.

CAUTION: Make sure the product is packed in its original factory packaging including its foam and plastic wrapping material to prevent damage to the merchandise. There is no need to return the entire set if only one of the components is in need of repair *unless otherwise instructed by the Service Center*. **The shipment must be prepaid and we recommend that it be insured. A cover letter including your name, address, daytime phone number, e-mail address (if available), Return Authorization number (if required by the service center, a copy of your sales receipt and a full description of the problem must be included to facilitate the repairs. Please include the description regardless of whether you discussed the problem with a service technician when contacting the Service Center for your Return Authorization.**

Please make sure you have followed the instructions carefully before returning any merchandise for service. Authorized M.T.H. Service Centers are independently owned and operated and are not agents or representatives of M.T.H. Electric Trains. M.T.H. assumes no responsibility, financial or otherwise, for material left in their possession, or work done, by privately owned M.T.H. Authorized Service Centers. If you need assistance at any time email MTH Service at service@mth-railking.com, or call 410 381-2580.

Limited One-Year Warranty

All M.T.H. products purchased from an Authorized M.T.H. Retailer are covered by this warranty. See our Website www.mthtrains.com to identify an M.T.H. Retailer near you.

M.T.H. products are warranted for one year from the date of purchase against defects in material or workmanship, excluding wear items such as light bulbs, pick-up rollers, batteries, smoke unit wicks, and traction tires. We will repair, replace, or credit (at our option) the defective part without charge for the parts or labor, if the item is returned to an M.T.H. Authorized Service Center (ASC) or M.T.H. National Authorized Service Center (NASC) within one year of the original date of purchase. This warranty does not cover damages caused by improper care, handling, or use. Transportation costs incurred by the customer are not covered under this warranty.

Items sent for repair must be accompanied by a return authorization number, a description of the problem, and **a copy of the original sales receipt from an Authorized M.T.H. Train Merchant**, which gives the date of purchase. If you are sending this product to an Authorized Service Center, contact that Center for their return authorization.

This warranty gives you specific legal rights, and you may have other rights that vary from state to state. Specific questions regarding the warranty may be forwarded to M.T.H. Directly.

Service Department:
M.T.H. Electric Trains
7020 Columbia Gateway Drive
.Columbia MD 21046-1532