



40' Box Car

20-90025-A
20-90026-A
20-93008
20-93014
20-93018
20-93019
20-93024
20-93038
20-93039
20-90040
20-90041
20-9302
20-9304
20-9305



MF022801

Rev. 3-12-01

40' Box Car

Car Parts

Name and Number	Part #	\$Price Per Unit	Name and Number	Part #	\$Price Per Unit
1.) Door guide (top)(green) (GN)(# 20237)	HB-6100183	2.00	4.) Door (red, white & blue) (STATE OF MAINE)(# BAR 4035)	HB-6100206	4.00
1.) Door guide (top)(green) (TP & W)(# 607)	HB-6100184	2.00	4.) Door (tuscan) (Penn)(# 24086)	HB-6100240	4.00
1.) Door guide (top)(green) (NYSW)(# 508)	HB-6100185	2.00	4.) Door (blue, yellow & light green)(Southern)(# 550555)	HB-6100241	4.00
1.) Door guide (top)(green) (NYC)(MTH CLUB CAR)(P & E)(# 4517)	HB-6100186	2.00	4.) Door (black) (Railbox)(# 15000)	HB-6100242	4.00
1.) Door guide (top)(blue) (US POSTAL SERVICE)(# 100)(# 4449)(#5445) (Southern)(# 550555)	HB-6100187	2.00	4.) Door (black & silver) (MTH Merchandising Seminar Year 2000)	HB-6100244	4.00
1.) Door guide (top)(blue) (B & O)(# 467085)	HB-6100188	2.00	5.) Ladder (side)(green) (GN)(# 20237)	HB-6100207	2.00
1.) Door guide (top)(blue) (MP)(# 120112)	HB-6100189	2.00	5.) Ladder (side)(green) (TP & W)(# 607)	HB-6100208	2.00
1.) Door guide (top)(blue) (STATE OF MAINE)(# BAR 4035)	HB-6100190	2.00	5.) Ladder (side)(green) (NYSW)(# 508)	HB-6100209	2.00
1.) Door guide (top)(tuscan) (Penn)(# 24086)	HB-6100235	2.00	5.) Ladder (side)(green) (NYC)(MTH CLUB CAR)(P & E)(# 4517)	HB-6100210	2.00
1.) Door guide (top)(yellow) (Railbox)(# 15000)	HB-6100127	2.00	5.) Ladder (side)(blue) (US POSTAL SERVICE)(# 100)(# 4449)(#5445) (Southern)(# 550555)	HB-6100211	2.00
1.) Door guide (top)(black) (MTH Merchandising Seminar Year 2000)	HB-6100236	2.00	5.) Ladder (side)(blue) (B & O)(# 467085)	HB-6100212	2.00
2.) Door guide (red) (bottom)(STATE OF MAINE)(# BAR 4035)	HB-6100191	2.00	5.) Ladder (side)(blue) (MP)(# 120112)	HB-6100213	2.00
2.) Door guide (green) (bottom)(TP & W)(# 607)	HB-6100192	2.00	5.) Ladder (side)(black) (STATE OF MAINE)(# BAR 4035)	HB-6100214	2.00
2.) Door guide (green) (bottom)(NYSW)(# 508)	HB-6100193	2.00	5.) Ladder (side)(tuscan) (Penn)(# 24086)	HB-6100245	2.00
2.) Door guide (green) (bottom)(NYC)(MTH CLUB CAR)(P & E)(# 4517)	HB-6100194	2.00	5.) Ladder (side)(yellow) (Railbox)(# 15000)	HB-6100147	2.00
2.) Door guide (green) (bottom)(GN)(# 20237)	HB-6100195	2.00	5.) Ladder (side)(black) (MTH Merchandising Seminar Year 2000)	HB-6100246	2.00
2.) Door guide (blue) (bottom)(B & O)(# 467085)	HB-6100196	2.00	6.) Ladder (end)(green) (GN)(# 20237)	HB-6100215	2.00
2.) Door guide (blue) (bottom)(MP)(# 120112)	HB-6100197	2.00	6.) Ladder (end)(green) (TP & W)(# 607)	HB-6100216	2.00
2.) Door guide (blue) (bottom)(NYC)(MTH CLUB CAR)(P & E)(# 4517)	HB-6100198	2.00	6.) Ladder (end)(green) (NYSW)(# 508)	HB-6100217	2.00
2.) Door guide (tuscan) (bottom)(Penn)(# 24086)	HB-6100237	2.00	6.) Ladder (end)(green) (NYC)(MTH CLUB CAR)(P & E)(# 4517)	HB-6100218	2.00
2.) Door guide (light green) (bottom)(Southern)(# 550555)	HB-6100238	2.00	6.) Ladder (end)(blue) (US POSTAL SERVICE)(# 100)(# 4449)(#5445) (Southern)(# 550555)	HB-6100219	2.00
2.) Door guide (yellow) (bottom)(Railbox)(# 15000)	HB-6100134	2.00	6.) Ladder (end)(blue) (B & O)(# 467085)	HB-6100220	2.00
2.) Door guide (black) (bottom)(MTH Merchandising Seminar Year 2000)	HB-6100239	2.00	6.) Ladder (end)(white) (MP)(# 120112)	HB-6100221	2.00
3.) Screw (M2.6x4.0mm)(roundhead)(plastic cutting threads)	IA-0000208	0.15	6.) Ladder (end)(black) (NYSW)(# 508)(STATE OF MAINE)(# BAR 4035) (NYC)(MTH CLUB CAR)(P & E)(# 4517)	HB-6100160	2.00
4.) Door (green) (GN)(# 20237)	HB-6100199	4.00	6.) Ladder (end)(tuscan) (Penn)(# 24086)	HB-6100247	2.00
4.) Door (green) (TP & W)(# 607)	HB-6100200	4.00	6.) Ladder (end)(yellow) (Railbox)(# 15000)	HB-6100155	2.00
4.) Door (green) (NYSW)(# 508)	HB-6100201	4.00	6.) Ladder (end)(black) (MTH Merchandising Seminar Year 2000)	HB-6100160	2.00
4.) Door (green) (NYC)(MTH CLUB CAR)(P & E)(# 4517)	HB-6100202	4.00	7.) Shell (green) (GN)(# 20237)	HB-6100222	*25.00
4.) Door (blue) (US POSTAL SERVICE)(# 100)(# 4449)(#5445)	HB-6100203	4.00	7.) Shell (green) (TP & W)(# 607)	HB-6100223	*25.00
4.) Door (blue & orange) (B & O)(# 467085)	HB-6100204	4.00			
4.) Door (yellow) (MP)(# 120112)	HB-6100205	4.00			

*Requires Exchange
All parts are priced as each



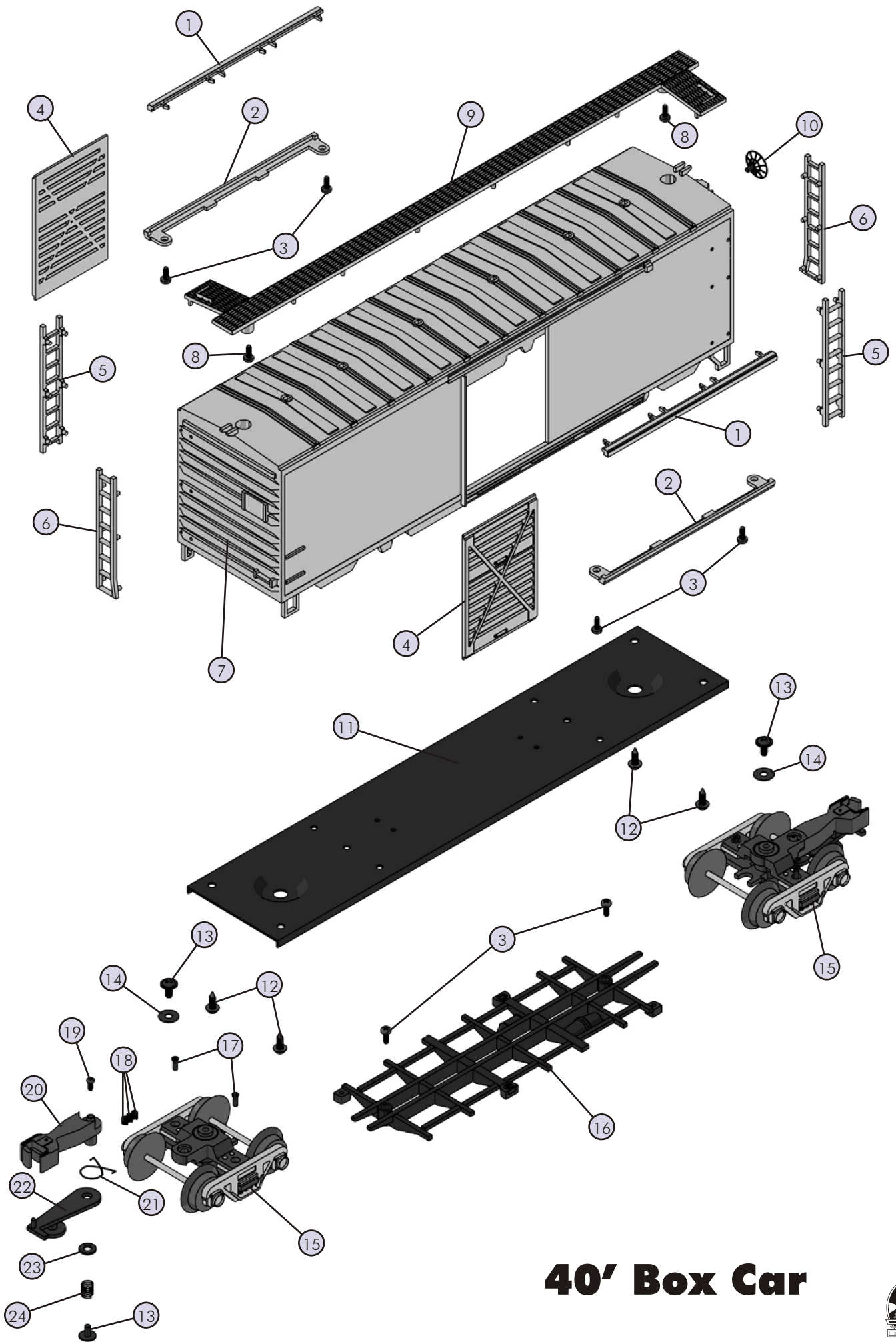
40' Box Car

Car Parts

Name and Number	Part #	\$Price Per Unit	Name and Number	Part #	\$Price Per Unit
7.) Shell (green & black) (NYSW)(# 508)	HB-6100224	*25.00	20.) Coupler (44.0mm long)	DD-000009	3.00
7.) Shell (green & black) (NYC)(MTH CLUB CAR)(P & E)(# 4517)	HB-6100225	*25.00	21.) Spring (centering)	IE-0000036	0.50
7.) Shell (blue & cream) (US POSTAL SERVICE)(# 100)	HB-6100226	*25.00	22.) Armature (36.3mm long)	DD-0000014	1.00
7.) Shell (blue & cream) (US POSTAL SERVICE)(# 4449)	HB-6100255	*25.00	23.) Insulator washer (clear) (5.0x10.0x0.3mm)	ID-0000065	0.15
7.) Shell (blue & cream) (US POSTAL SERVICE)(#5445)	HB-6100256	*25.00	24.) Spring (nickel) (6.0x8.0mm)(w/ 0.4mm thick wire)	IE-0000035	0.50
7.) Shell (blue, orange & white) (B & O)(# 467085)	HB-6100227	*25.00			
7.) Shell (red, white & blue) (MP)(# 120112)	HB-6100228	*25.00			
7.) Shell (red, white & blue) (STATE OF MAINE)(# BAR 4035)	HB-6100229	*25.00			
7.) Shell (tuscan) (Penn)(# 24086)	HB-6100248	*25.00			
7.) Shell (yellow) (Railbox)(# 15000)	HB-6100249	*25.00			
7.) Shell (black, silver & yellow) (MTH Merchandising Seminar Year 2000)	HB-6100251	*25.00			
7.) Shell (blue, yellow, & green) (Southern)(# 550555)	HB-6100252	*25.00			
8.) Screw (M2.6x6.0mm)(roundhead)(plastic cutting threads)	IA-0000206	0.15			
9.) Catwalk (green) (GN)(# 20237)	HB-6100230	4.00			
9.) Catwalk (green) (TP & W)(# 607)	HB-6100231	4.00			
9.) Catwalk (blue) (B & O)(# 467085)	HB-6100232	4.00			
9.) Catwalk (white) (MP)(# 120112)	HB-6100233	4.00			
9.) Catwalk (cream) (US POSTAL SERVICE)(# 100)(#5445)(# 4449)	HB-6100234	4.00			
9.) Catwalk (black) (NYC)(MTH CLUB CAR)(P & E)(# 4517) (NYSW)(# 508)(STATE OF MAINE)(# BAR 4035)	HB-6100182	4.00			
9.) Catwalk (tuscan) (Penn)(# 24086)	HB-6100253	4.00			
9.) Catwalk (silver) (MTH Merchandising Seminar Year 2000) (Railbox)(# 15000)	HB-6100180	4.00			
9.) Catwalk (blue) (Southern)(# 550555)	HB-6100254	4.00			
10.) Brake wheel (black)	HE-4100033	1.00			
11.) Chassis (black)	HD-0100065	*12.00			
12.) Screw (M3x8.0mm)(roundhead)(plastic cutting threads)	IA-0000204	0.15			
13.) Screw (M3x5.0mm)(washer head)	IA-0000268	0.15			
14.) Washer (6.0x10.0x0.9mm)	ID-0000064	0.15			
15.) Truck (2 axle) (black truck sides)(w/ truck side springs)	DA-0100006	6.00			
16.) Undercarriage detail (black)	HD-0100066	8.00			
17.) Screw (M2.5x6.0mm)(flathead)	IA-0000178	0.15			
18.) Spring (truck side) (2.5x5.0x0.2mm)	IE-0000033	0.25			
19.) Screw (M2x4.0mm)(washer head)	IA-0000080	0.15			

* Requires Exchange
All parts are priced as each





40' Box Car

