



20-2302-1

2500 HP Transfer Diesel



GL022502

REV.071802

2500 HP Transfer Diesel Engine

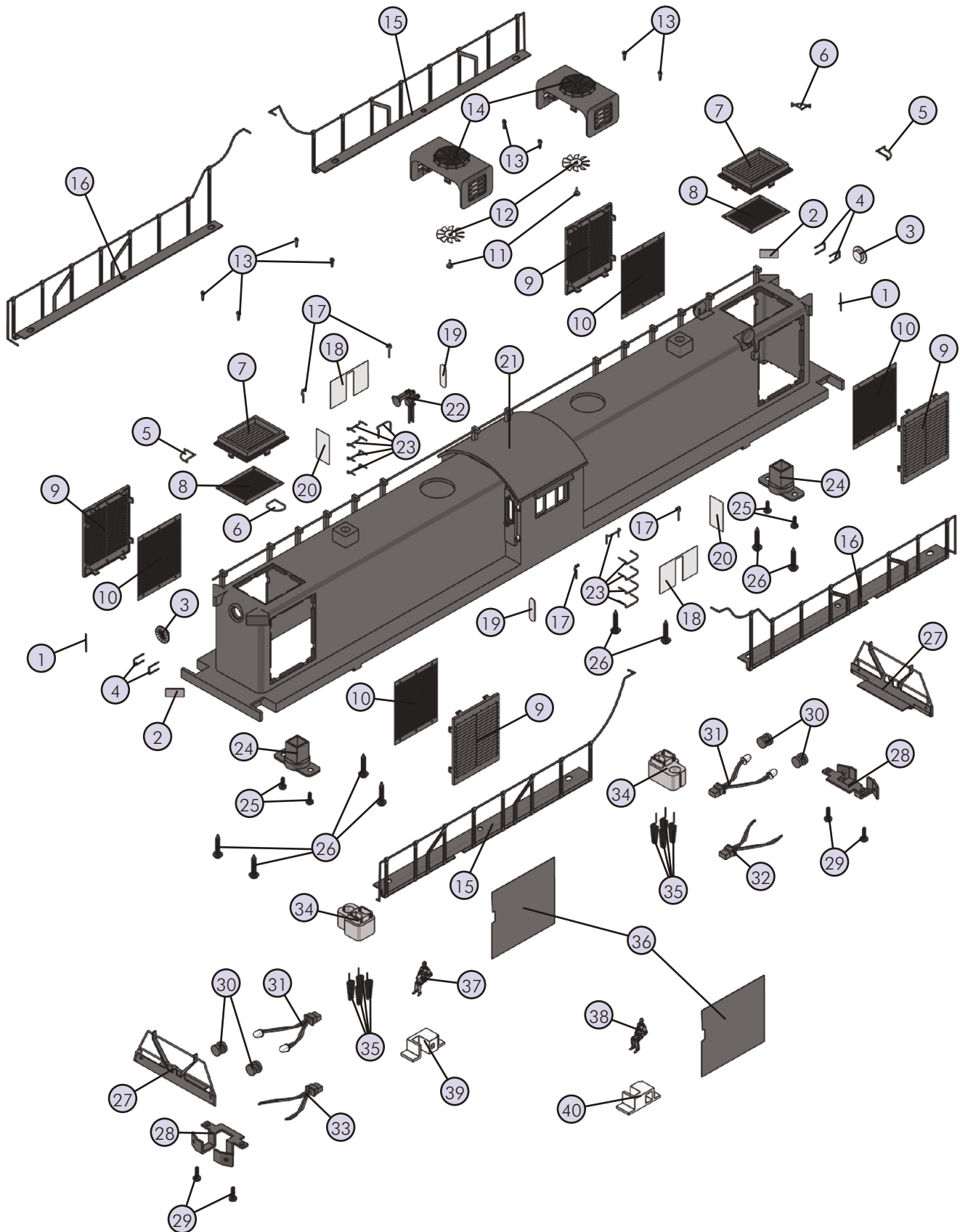
Shell Parts

Name and Number	Part #	\$Price Per Unit	Name and Number	Part #	\$Price Per Unit
1.) Number board (PRR)(# 8947) (black w/ frosted numbers)(right front/left rear) (4.4x11.0x1.8mm)(tapered on right)	FG-2100294	2.00	20.) Lens (clear)(both sides of cab) (right front/left rear)(9.7x27.2x0.5mm)	FA-2100028	1.00
Number board (PRR)(# 8948) (black w/ frosted numbers)(right front/left rear) (4.4x11.0x1.8mm)(tapered on right)	FG-2100295	2.00	21.) Shell (green)(PRR)(# 8947)	FC-2101094	*120.00
Number board (PRR)(# 8950) (black w/ frosted numbers)(right front/left rear) (4.4x11.0x1.8mm)(tapered on right)	FG-2100296	2.00	Shell (green)(PRR)(# 8948)	FC-2101095	*120.00
2.) Number board (PRR)(# 8947) (black w/ frosted numbers)(left front/right rear) (4.4x11.0x1.8mm)(tapered on left)	FG-2100297	2.00	Shell (green)(PRR)(# 8950)	FC-2101096	*120.00
Number board (PRR)(# 8948) (black w/ frosted numbers)(left front/right rear) (4.4x11.0x1.8mm)(tapered on left)	FG-2100298	2.00	22.) Air horns (green) (3 chime)(all 3 horns face forward) (PRR)(# 8947)(# 8948)(# 8950)	FC-2101097	5.00
Number board (PRR)(# 8950) (black w/ frosted numbers)(left front/right rear) (4.4x11.0x1.8mm)(tapered on left)	FG-2100299	2.00	23.) Handrail (green) (10.5mm long)(mounts on middle sides and top) (PRR)(# 8947)(# 8948)(# 8950)	FC-2101098	2.00
3.) Lens (clear) (4.7x6.7x3.0mm)(1.5x8.8mm lens head) (6 ribs for press fit)(for headlight/reverse light)	FA-2100025	2.00	24.) Smoke unit funnel (black) (plastic)	AA-0000051	4.00
4.) Handrail (green) (5.0mm long)(mounts on ends below lens) (PRR)(# 8947)(# 8948)(# 8950)	FC-2101083	2.00	25.) Screw (M3x5.0mm)(roundhead)(plastic cutting threads)	IA-0000359	0.15
5.) Handrail (green) (11.0mm across)(right front/left rear) (PRR)(# 8947)(# 8948)(# 8950)	FC-2101084	3.00	26.) Screw (M3x16.0mm)(washer head)(self-drilling)	IA-0000025	0.15
6.) Handrail (green) (11.0mm across)(left front/right rear) (PRR)(# 8947)(# 8948)(# 8950)	FC-2101085	3.00	27.) Handrail (green, yellow, white) (front & rear)(PRR)(# 8947)(# 8948)(# 8950)	FC-2101099	8.00
7.) Vent housing (green)(plastic) (top)(26.7x32.7x5.5mm)(same on both ends) (PRR)(# 8947)(# 8948)(# 8950)	FC-2101086	6.00	28.) Bracket (black) (metal)(holds number boards lights)	IH-2100001	6.00
8.) Screen (green) (metal)(24.5x31.0mm)(same on both ends) (for vent housing)(PRR)(# 8947)(# 8948)(# 8950)	FC-2101087	3.00	29.) Screw (M3x8.0mm)(roundhead)(plastic cutting threads)	IA-0000204	0.15
9.) Vent housing (green) (plastic)(sides)(37.0x46.0mm)(same on both ends) (PRR)(# 8947)(# 8948)(# 8950)	FC-2101088	6.00	30.) Grommet (black) (4.5x5.0mm)(rubber)	IH-0000010	0.50
10.) Screen (green) (metal)(34.8x43.8mm)(same on both ends)(sides) (for vent housing)(PRR)(# 8947)(# 8948)(# 8950)	FC-2101089	3.00	31.) Bulbs (clear)(6v)(2) (140.0mm long wires w/ black male 2 pin plug) (grain of wheat)(number boards lights)	CC-0000053	4.00
11.) Pin (black)(for fan) (2.0x4.3mm)(1.4x1.2mm shank)(0.8x3.4mm flathead)	FC-2100691	1.00	32.) L.E.D.s (red)(2)(6v) (150.0mm long wires w/ yellow male 2 pin plug)	CE-0000012	5.00
12.) Fan (gray) (10 blades)(16.0mm diameter)	FC-2101090	3.00	33.) L.E.D.s (green)(2)(6v) (150.0mm long wires w/ yellow male 2 pin plug)	CE-0000020	5.00
13.) Lift ring (green) (top of shell)(PRR)(# 8947)(# 8948)(# 8950)	FC-2160006	0.50	34.) Contact spring base (black) (plastic)(for 2 male 2 pin plugs)	BH-0000056	3.00
14.) Dynamic brake housing (green) (PRR)(# 8947)(# 8948)(# 8950)	FC-2101091	10.00	35.) Contact spring (copper)	IE-0000015	0.50
15.) Handrail (green, yellow) (left front/right rear) (PRR)(# 8947)(# 8948)(# 8950)	FC-2101092	12.00	36.) Shield (black) (plastic)(40.0x50.0x0.3mm)(notched on one end)	FI-0000042	2.00
16.) Handrail (green, yellow) (right front/left rear) (PRR)(# 8947)(# 8948)(# 8950)	FC-2101093	12.00	37.) Engineer (black man)	FI-0000030	5.00
17.) Windshield wipers (black)	FC-2100458	1.00	Engineer (white man)	FI-0000001	5.00
18.) Lens (clear) (both sides of cab)(middle)(23.0x35.0x0.5mm) (10.0x16.5mm hole cut out in middle)	FA-2100026	2.00	38.) Fireman/Brakeman/Conductor (white man)	FI-0000009	5.00
19.) Lens (clear) (both sides of cab)(door)(left front/right rear) (5.5x15.7x1.5mm)(plastic)	FA-2100027	2.00	Fireman/Brakeman/Conductor (black man)	FI-0000033	5.00
			39.) Engineer base (gray)(right side)	FI-0000025	1.00
			40.) Brakeman base (gray)(left side)	FI-0000024	1.00
			NS.) Builder's plate (brass, red) (Lima Locomotive Works)(9532)(July 1951) (diamond shaped)(PRR)(# 8947)(# 8948)(# 8950)	FC-2101100	4.00

*Requires Exchange
All parts are priced as each



2500 HP Transfer Diesel Engine Shell Parts



2500 HP Transfer Diesel Engine

Chassis Parts

Name and Number	Part #	\$Price Per Unit	Name and Number	Part #	\$Price Per Unit
1.) Bracket (black) (metal)(7.0x55.0mm)(9.0x12.0x10.3mm light box) (for headlight/reverse lights)	IH-0000332	5.00	28.) Bulbs (clear)(6v)(2) (140.0mm long wires w/ yellow male 2 pin plug) (grain of wheat)(cab interior lights)	CG-0000052	4.00
2.) Screw (M3x3.0mm)(roundhead)	IA-0000296	0.15	29.) Smoke unit (Proto-Sound® 2.0)(9.5x12.0x4.3x9.8mm brass cup) (7.5mm long mounting posts)	AA-0000052	50.00
3.) Grommet (black) (4.5x5.0mm)(rubber)	IH-0000010	0.50	30.) Screw (4/40x6.0mm)(roundhead)	IA-0000003	0.15
4.) Bulb (clear)(6v)(1) (90.0mm long wires w/ green male 2 pin plug) (grain of wheat)(reverse light)	CF-0000012	3.00	31.) Bracket (black) (metal)(10.0x24.0x35.5mm)(19.0mm steps) (mounts smoke unit)	IH-0000338	4.00
5.) Bulb (clear)(6v)(1) (90.0mm long wires w/ blue male 2 pin plug) (grain of wheat)(headlight)	CA-0000045	3.00	32.) Wire nut (yellow)	BI-4500003	0.25
6.) Tach board (green) (w/ 1.5mm spacer between board & optical sensor)	AG-0000047	6.00	33.) Boards (Proto-Sound® 2.0) (w/ Rom memory)(5v board)	AE-0000001	*200.00
7.) Rubber band	BI-4500004	0.50	34.) Bracket (Aluminum) (for Proto-Sound 2.0® boards)(tapped for 6/32 screw) (15.0x43.5mm)(10.5mm step-up)	IH-0000198	4.00
8.) Motor (RS-385PH) (8.2x23.0mm worm gear)(13.5mm long threads) (9.0x27.0mm white flywheel w/ black stripes) (w/ black plastic tach board bracket)	BE-0000118	25.00	35.) Screw (6/32x12.0mm)(roundhead)	IA-0000103	0.15
9.) Motor (RS-385PH) (8.2x23.0mm worm gear)(13.5mm long threads) (9.0x27.0mm black flywheel)	BE-0000119	25.00	36.) Screw (M3x6.0mm)(roundhead)	IA-0000016	0.15
10.) Motor mount (black)	BI-0000053	15.00	37.) Speaker cone (black) (plastic)(11.0x38.0mm)(shaved on 2 sides)	BF-0000014	2.00
11.) Screw (yellow Zink) (M2.5x6.0mm)(roundhead)(w/ lock washer)	IA-0000001	0.15	38.) Insulator (white) (washer)(3.0x6.0x3.0mm)(plastic)	ID-0000025	0.15
12.) Screw (M3x14.0mm)(roundhead)(w/ lock washer)	IA-0000012	0.15	39.) Voltage regulator (LM2937ET)	AG-0000032	3.00
13.) Switch (large)(2 position)	BB-0000006	5.00	40.) Insulator (clear) (13.0x19.0x0.1mm)(single hole)	ID-0000024	0.15
14.) Screw (M2x4.0mm)(roundhead)	IA-0000058	0.15	41.) Volume pot (small volume pot)(blue w/ green board)	BI-0000040	5.00
15.) Bracket (black) (metal)(for mounting battery bracket)	IH-0000333	6.00	42.) Battery charger jack (complete)	BG-0000001	3.00
16.) Screw (M3x4.0mm)(roundhead)	IA-0000010	0.15	43.) Pilot (black, white, yellow) (complete w/ all hardware)	DG-2150044	20.00
17.) Bracket (black) (battery)(vertical mount)(plastic)	IH-0000042	4.00	44.) T-bar (black) (4.0x20.0mm)(plastic)	IG-0000001	0.50
18.) Battery leads (200.0mm long wires w/ small black 2 pin male plug) (120.0mm long wires w/ battery charger jack)	BC-0000148	6.00	45.) Proto-Coupler® (black) (Proto-Coupler® 2.0)(51.0mm long)	DD-0000032	10.00
19.) Battery (white) (8.4 volts)(re-chargable)(nickel-cadium)	BG-4000001	10.00	46.) Spring (nickel) (6.5x14.0mm)(w/ 0.5mm thick wire)	IE-0000017	0.50
20.) Bracket (black)(metal) (26.5mm high)(2 holes for mounting board) (2 holes for mounting bracket to chassis)	IH-0000334	6.00	47.) Washer (black) (5.0x10.0x1.0mm)	ID-0000026	0.15
21.) Bracket (black)(metal) (26.5mm high)(2 holes for mounting board) (1 hole for mounting bracket to chassis)	IH-0000335	6.00	48.) E-clip (black) (3.0x8.0x0.5mm)	IF-0000002	0.15
22.) Contact spring board (green) (front)(14.0x25.5mm)(4 silver pads)(2 mounting holes)	BH-0000064	3.00	49.) Snow plow (black)	FH-2130001	4.00
23.) Screw (M2.5x4.0mm)(roundhead)	IA-0000005	0.15	50.) Screw (4/40x6.0mm)(flathead)	IA-0000038	0.15
24.) Bracket (black) (8.0x11.9mm high)(w/ 3.0mm bend)(metal) (1 hole for grommet & 1 hole for mounting screw)	IH-0000336	2.00	51.) Traction tire (black) (rubber)(4.0x17.0mm)	DE-0000018	0.75
25.) Spacer (black) (3.0x6.0x4.3mm)(plastic)	ID-0000071	0.15	52.) Truck side (black) (right front/left rear)(fits 3 axle truck) (PRR)(# 8947)(# 8948)(# 8950)	DB-2100046	9.00
26.) Screw (M3x8.0mm)(roundhead)	IA-0000035	0.15	53.) Truck side (black) (left front/right rear)(fits 3 axle truck) (PRR)(# 8947)(# 8948)(# 8950)	DB-2100047	9.00
27.) Bracket (black)(metal) (15.0x91.0mm)(46.5mm & 43.0mm steps) (supports wires over top of Proto-Sound® 2.0 boards)	IH-0000337	10.00	54.) Screw (nickel) (M3x6.0mm)(roundhead)	IA-0000015	0.15
			55.) Insulator (black) (top)(square)(pick-up)	BD-0000015	2.00

*Requires Exchange
All parts are priced as each



2500 HP Transfer Diesel Engine

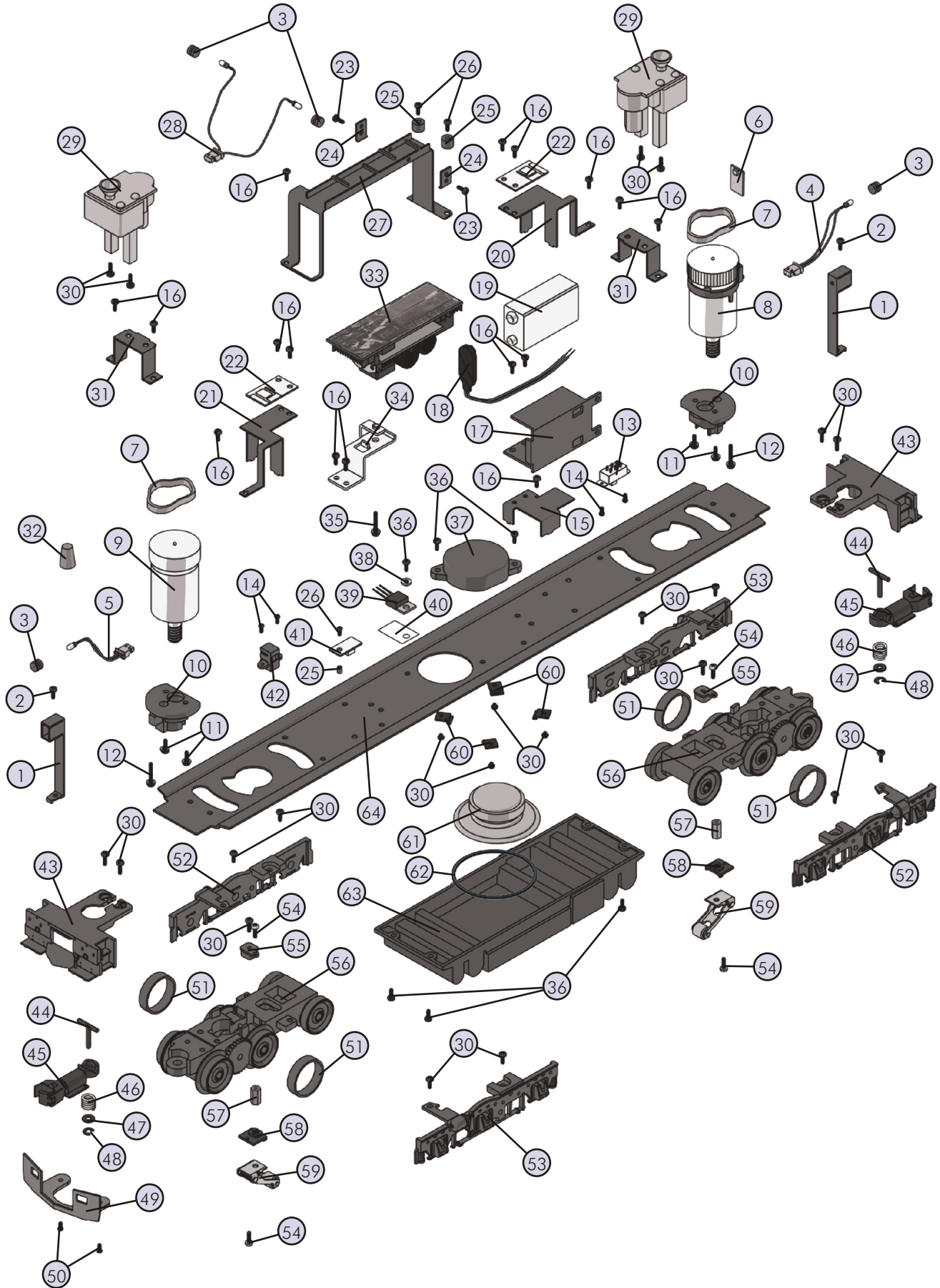
Chassis Parts

Name and Number	Part #	\$Price Per Unit
56.) Truck (black) (powered)(3 axle)(2 screw holes for mounting pilot) (81.5mm long wheel base) (from center of front axle to center of rear axle)	DA-2050017	*35.00
57.) Nut (nickel) (2.5x5.0x7.0mm)	IC-0000008	0.50
58.) Insulator (black) (pick-up)(bottom)(flat)(square)	BD-0000024	2.00
59.) Pick-up (8.0x11.0mm roller)(24.0mm long)	BD-0000013	5.00
60.) Bracket (black) (speaker)(metal)(9.0x9.5mm)(2.9mm step) (rounded corners on mounting end)	IH-0000044	1.00
61.) Speaker (STAR) (FR-050-A1421)(16 ohms)(5W)(50.0mm speaker)	BF-0000022	10.00
62.) Gasket (black) (speaker)(foam)(46.0x51.0mm)(4.5mm thick) (for 50.0mm speakers)	IB-0000011	1.00
63.) Fuel tank (black w/ red & yellow markings) (PRR)(# 8947)(# 8948)(# 8950)	FC-2101101	*20.00
64.) Chassis (black) (57.0x468.0mm)(has holes for battery charger jack)	DH-2100037	*20.00
NS.) Wire harness (black male 12 pin plug)	BC-2100041	15.00

*Requires Exchange
All parts are priced as each



2500 HP Transfer Diesel Engine Chassis Parts



Smoke Unit Proto-Sound® 2.0

Smoke Unit Parts

Name and Number	Part #	\$Price Per Unit
1.) Screw (4/40x6.0mm)(roundhead)	IA-0000003	0.15
2.) Gasket (burnt orange) (for standard smoke unit)(25.0x37.0mm)(0.5mm thick)	IB-0000006	2.00
3.) Screw (M1.4x3.0mm)(roundhead)	IA-0000120	0.15
4.) Fan impeller (black) (plastic)(for smoke unit)	AI-0000019	2.00
5.) Heating elements (for smoke unit)	AI-0000018	2.00
6.) Wick (white) (for smoke unit)(4" long)(sold as a pair) (requires 2 wicks per smoke unit)	AA-0000001	1.00
7.) Motor (for smoke unit)(wire harness not included)	BE-0000041	5.00

All parts are priced as each

