



SD70ACE DIESEL ENGINE W/PROTO-SOUND® 2.0

20-20086-1 20-20086-2
20-20087-1 20-20087-2
20-20088-1 20-20088-2
20-20089-1 20-20089-2
20-20111-1 20-20111-2

PARTS LIST & EXPLODED VIEW

REV. 07.2015

PARTS LIST: SD70ACE DIESEL ENGINE BODY

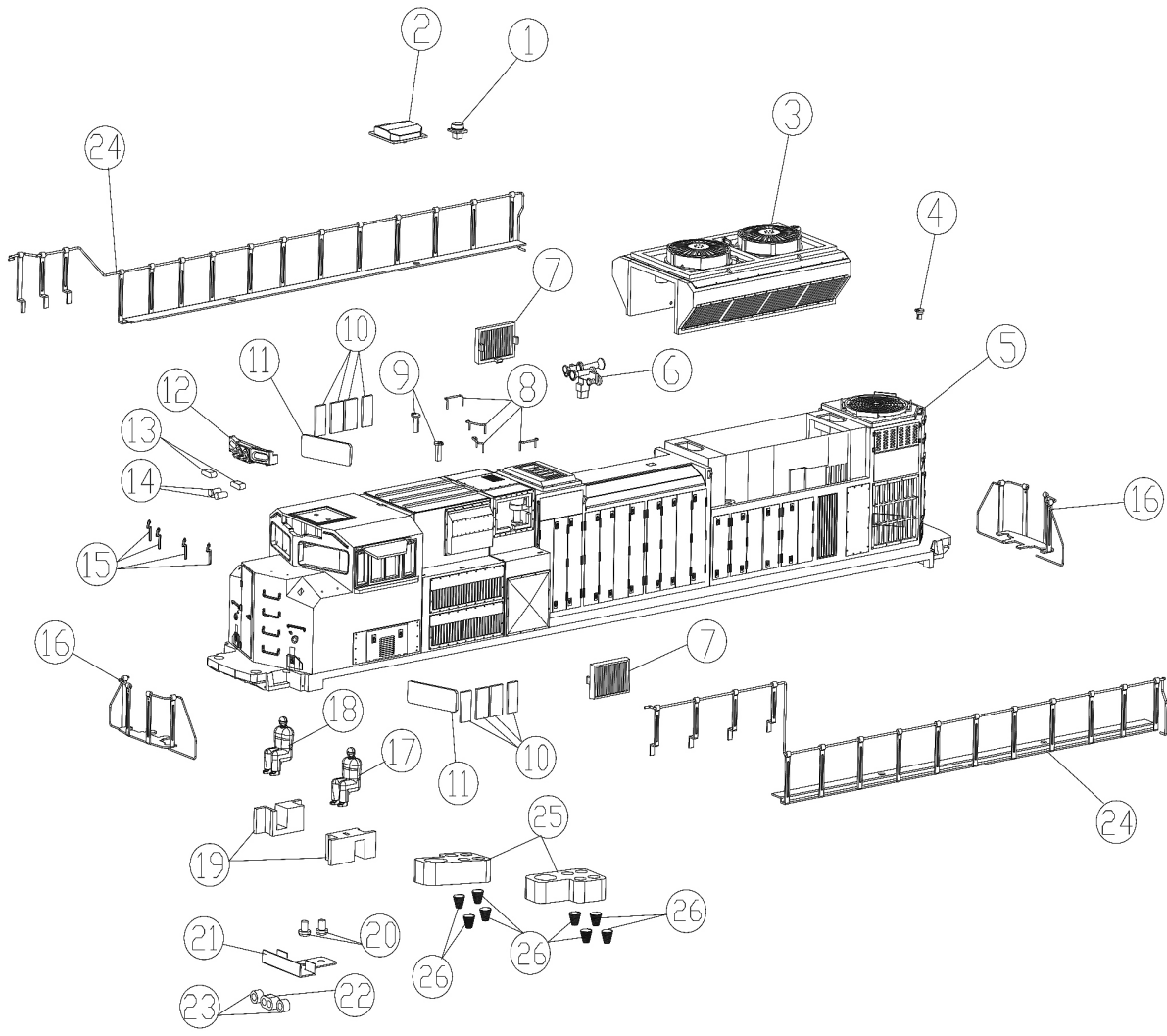


1.) SAND FILLER	BI-2104032001	15.) WIPER(BLACK)	FC-2104046001
2.) LIFT RING(A)	IH-2104033001	16.) HANDRAIL(AROUND)	FC-2104047001
3.) DYNAMIC BRACKET	IH-2104034002	17.) ENGINEER FIGURE	FI-2104048001
4.) LIFT RING(B)	IH-2104035001	18.) BRAKEMAN FIGURE	FI-2104056001
5.) BODY(NORFOLK SOUTHERN# 1000)	FC-2104036001	19.) FIREMAN BASE	FI-2104049001
BODY(NORFOLK SOUTHERN# 1004)	FC-2104036002	20.) SCREW(M3.0X3.0MM,BLACK)	
BODY(NORFOLK SOUTHERN# 1007)	FC-2104036003	21.) WIRE HOLDER	IH-2104050001
BODY(NORFOLK SOUTHERN# 1015)	FC-2104036004	22.) BLUB GUIDE(DUAL)	CI-2104051001
BODY(CSX# 4557)	FC-2104036005	23.) BLUB GUIDE(LONG)	CI-2104052001
BODY(CSX# 4562)	FC-2104036006	24.) HANDRAIL(SIDE)	FC-2104053001
BODY(CSX# 4563)	FC-2104036007	25.) CONTACT BASE	BI-2104054001
BODY(CSX# 4574)	FC-2104036008	26.) CONTACT SPRING	IE-2104055001
BODY(PENNSYLVANIA# 1857)	FC-2104036009		
BODY(PENNSYLVANIA# 1850)	FC-2104036010		
BODY(PENNSYLVANIA# 1968)	FC-2104036011		
BODY(WESTERN MARYLAND# 1973)	FC-2104036012		
BODY(WESTERN MARYLAND# 1852)	FC-2104036013		
BODY(WESTERN MARYLAND# 1862)	FC-2104036014		
BODY(WESTERN MARYLAND# 1857)	FC-2104036015		
BODY(BNSF# 9771)	FC-2104036016		
BODY(BNSF# 9809)	FC-2104036017		
BODY(BNSF# 9812)	FC-2104036018		
BODY(BNSF# 9820)	FC-2104036019		
BODY(BNSF# 9839)	FC-2104036020		
BODY(BNSF# 8987)	FC-2104036021		
BODY(ALASKA# 4006)	FC-2104036022		
BODY(ALASKA# 4016)	FC-2104036023		
BODY(ALASKA# 4008)	FC-2104036024		
BODY(ALASKA# 4009)	FC-2104036025		
BODY(FLORIDA EAST COAST# 106)	FC-2104036026		
BODY(NEW YORK CENTRAL# 1968)	FC-2104036027		
BODY(NEW YORK CENTRAL# 1967)	FC-2104036028		
BODY(NEW YORK CENTRAL# 1954)	FC-2104036029		
BODY(NEW YORK CENTRAL# 1931)	FC-2104036030		
BODY(SANTA FE# 1996)	FC-2104036031		
BODY(SANTA FE# 1995)	FC-2104036032		
BODY(SANTA FE# 1869)	FC-2104036033		
BODY(SANTA FE# 1859)	FC-2104036034		
BODY(CHESSIE# 1986)	FC-2104036035		
BODY(CHESSIE# 1979)	FC-2104036036		
BODY(CHESSIE# 1980)	FC-2104036037		
BODY(CHESSIE# 1972)	FC-2104036038		
BODY(CHESSIE# 1974)	FC-2104036039		
BODY(SOUTHERN# 1990)	FC-2104036040		
BODY(SOUTHERN# 1953)	FC-2104036041		
BODY(SOUTHERN# 1982)	FC-2104036042		
BODY(SOUTHERN# 1894)	FC-2104036043		
6.) HORN	BF-2104037001		
7.) SIDE PANEL	FC-2104038001		
8.) HAND RALL POST	FC-2104039001		
9.) LIFT RING(C)	FC-2104040001		
10.) WINDOW GLASS(SIDE)	FC-2104041001		
11.) WINDOW GLASS(FRONT)	FC-2104042001		
12.) N/B BASE-A	IH-2104043001		
13.) NUMBER BOARD	FG-2104044001		
14.) LAMP BRACKET(A)	CI-2104045001		

EXPLODED VIEW: SD70ACE DIESEL ENGINE BODY



SD70Ac Diesel Engine
Body



PARTS LIST: SD70ACE DIESEL ENGINE CHASSIS

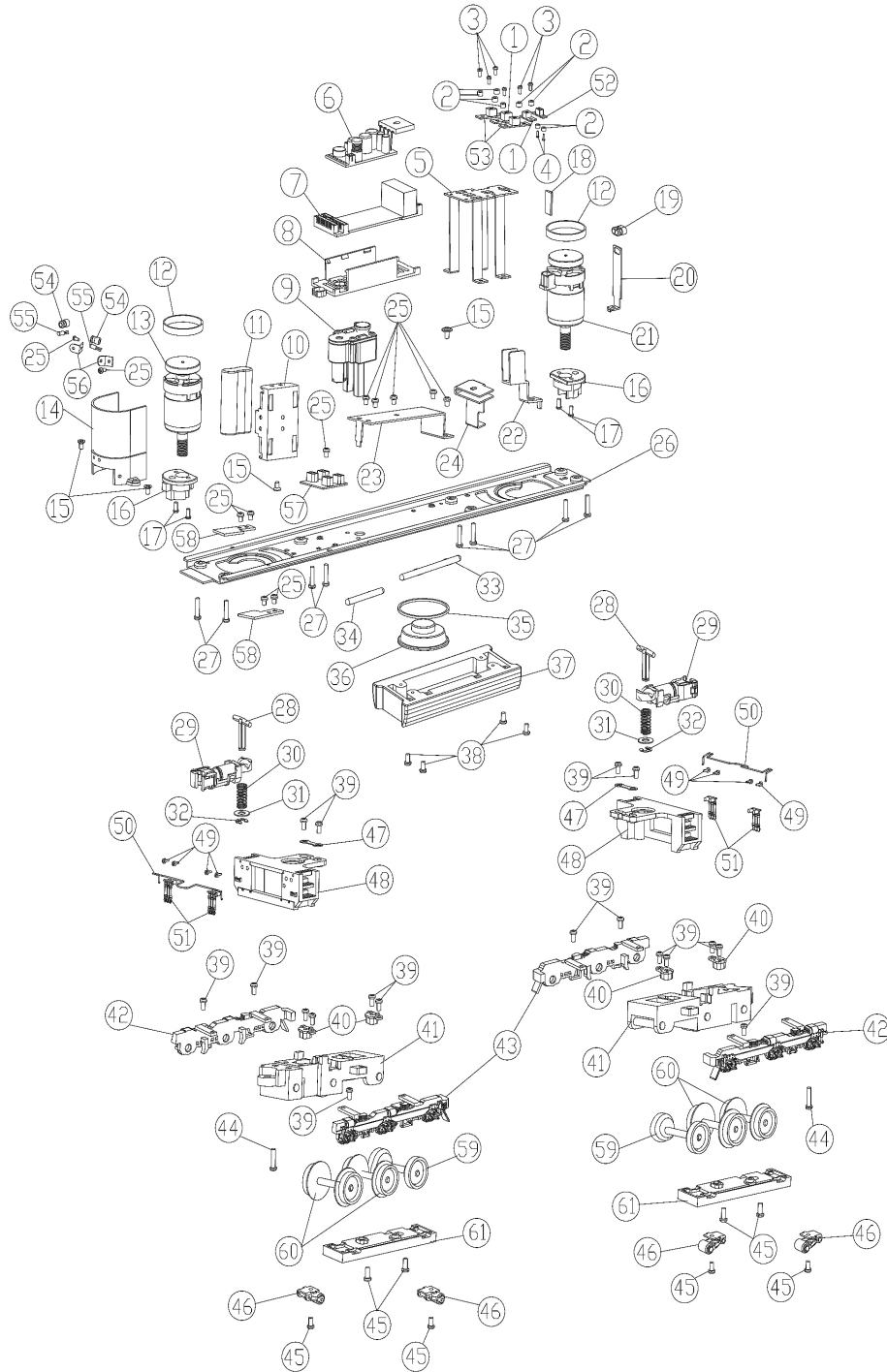


1.) VOLUME POT	IH-2104001001	55.) LIGHT BULBS	CG-2104065001
2.) INSULATOR SPACE	ID-2104002001	56.) LIGHT BLACKET	CI-2104066001
3.) SCREW(M2.0X7.0MM,BLACK)		57.) PATCH BOARD	AD-2104067001
4.) SCREW(M3.0X8.0MM,BLACK)		58.) CONTACT BOARD	AD-2104068001
5.) SWITCH BRACKET	IH-2104003001	59.) WHEEL AXLE SET A, SCALE, INNER	EG-2104069001
6.) BOARDS(PROTO-SOUND 2.0, 4V POWER, TOP)	AE-1000034	WHEEL AXLE SET A, HI-RAIL, OUTER	EG-2104069002
7.) BOARDS(PROTO-SOUND 2.0, 3V POWER, BOTTOM)	AE-1000035	WHEEL AXLE SET A, HI-RAIL, CENTER	EG-2104069003
8.) CSC BRACKET 3V	IH-2104004001	WHEEL AXLE SET A, HI-RAIL, INNER	EG-2104069004
9.) SOMKE UNIT	AA-2104005001	WHEEL AXLE SET A, SCALE, OUTER	EG-2104069005
10.) 3V BATTERY BRACKET	IH-2104006001	WHEEL AXLE SET A, SCALE, CENTER	EG-2104069006
11.) BATTERY(3V PS2.0 2.4V 700MAH)	BG-2104007001	60.) WHEEL AXLE SET B, SCALE, INNER	EG-2104070001
12.) RUBBER BAND	BI-4500004	WHEEL AXLE SET B, HI-RAIL, OUTER	EG-2104070002
13.) MOTOR(RS-385PH-2655)	BE-2104008001	WHEEL AXLE SET B, HI-RAIL, CENTER	EG-2104070003
14.) MOTOR INSULATION BRACKET	BI-2104009001	WHEEL AXLE SET B, HI-RAIL, INNER	EG-2104070004
15.) SCREW(M3.0X6.0MM,F,BLACK)		WHEEL AXLE SET B, SCALE, OUTER	EG-2104070005
16.) MOTOR BASE	BI-2104010001	WHEEL AXLE SET B, SCALE, CENTER	EG-2104070006
17.) SCREW(M2.6X6.0X4.5MM,BLACK)		61.) GEAR BOX COVER	EG-2104071001
18.) REDING MATTER PCB	AG-0000102		
19.) BLUB GUIDE	CI-2104011001		
20.) LAMP BRACKET(B)	IH-2104012001		
21.) MOTOR(RS-385PH-2655)	BE-2104013001		
22.) E/WIRE GUIDE	IH-2104014001		
23.) I BEAM	IH-2104015001		
24.) HEAT SINK	IH-2104016001		
25.) SCREW(D2.6X3.0MM,BLACK)			
26.) FLOOR	FC-2104017001		
27.) SCREW(1/8"XL16.0XD6.4MM,BLACK)			
28.) T-BAR	IG-2104018001		
29.) COUPLER	DD-2104019001		
30.) SPRING	IE-2104020001		
31.) WASHER	IB-2104021001		
32.) E-RING	ID-2104022001		
33.) PUMP PIPE(A)	FC-2104023001		
34.) PUMP PIPE(B)	FC-2104024001		
35.) SPEAKER PLATE	BI-4500005		
36.) HORN(FOR ALASKA,GM&O)	BF-2104025001		
37.) FUEL TANK	FC-2104026001		
38.) SCREW(M3.0X7.0MM,F,BLACK)			
39.) SCREW(M3.0X6.0MM,BLACK)			
40.) PICK UP PLATE	BD-2104027001		
41.) GEER BOX SET	EG-2104028001		
42.) TRUCK SIDE FRAME-R	DB-2104029001		
43.) TRUCK SIDE FRAME-L	DB-2104030001		
44.) SCREW(M3.0X14.0X5.2MM,BLACK)			
45.) SCREW(M3.0X7.0MM,BLACK)			
46.) PICK UP	BD-2104031001		
47.) E/WIRE FIX BAND	IH-2104057001		
48.) PILOT	DG-2104058001		
49.) LIFT RING	FC-2104059001		
50.) PILOT HANDRAIL	FC-2104060001		
51.) HOSE	FC-2104061001		
52.) BATTERY CHARGING JACK	BB-2104062001		
53.) SWITCH	BB-2104063001		
54.) LIGHT GROMMET	CI-2104064001		

EXPLODED VIEW: SD70ACE DIESEL ENGINE CHASSIS



SD70ACe Diesel Engine
Chassis



PARTS LIST: SMOKE UNIT PROTO-SOUND 2.0



- | | |
|--|----------------------------|
| 1.) SCREW(4/40X6.0MM) | IA-0000003 |
| 2.) GASKET(BURNT ORANGE)
(FOR STANDARD SMOKE UNIT)
(25.0X37.0MM)(0.5MM THICK) | IB-0000006 |
| 3.) SCREW(M1.4X3.0MM)
(ROUNDHEAD) | IA-0000120 |
| 4.) FAN IMPELLER(BLACK) | AI-0000019 |
| 5.) HEATING ELEMENTS
(FOR SMOKE UNIT) | AI-0000018 |
| 6.) WICK(WHITE)
(FOR SMOKE UNIT)(4" LONG)
(SOLD AS A PAIR)
(REQUIRES 2 WICKS PER
SMOKE UNIT) | AA-0000001 |
| 7.) SMOKE(FOR SMOKE UNIT)
(WIRE HARNESS NOT
INCLUDED) | BE-0000041 |

