

**LIONEL ELECTRIC TRAINS**  
MODEL RAILROAD  
ACCESSORIES  
**LIONEL CORPORATION TINPLATE**

**"0" GAUGE  
NO. 2814R  
REEFER CAR**

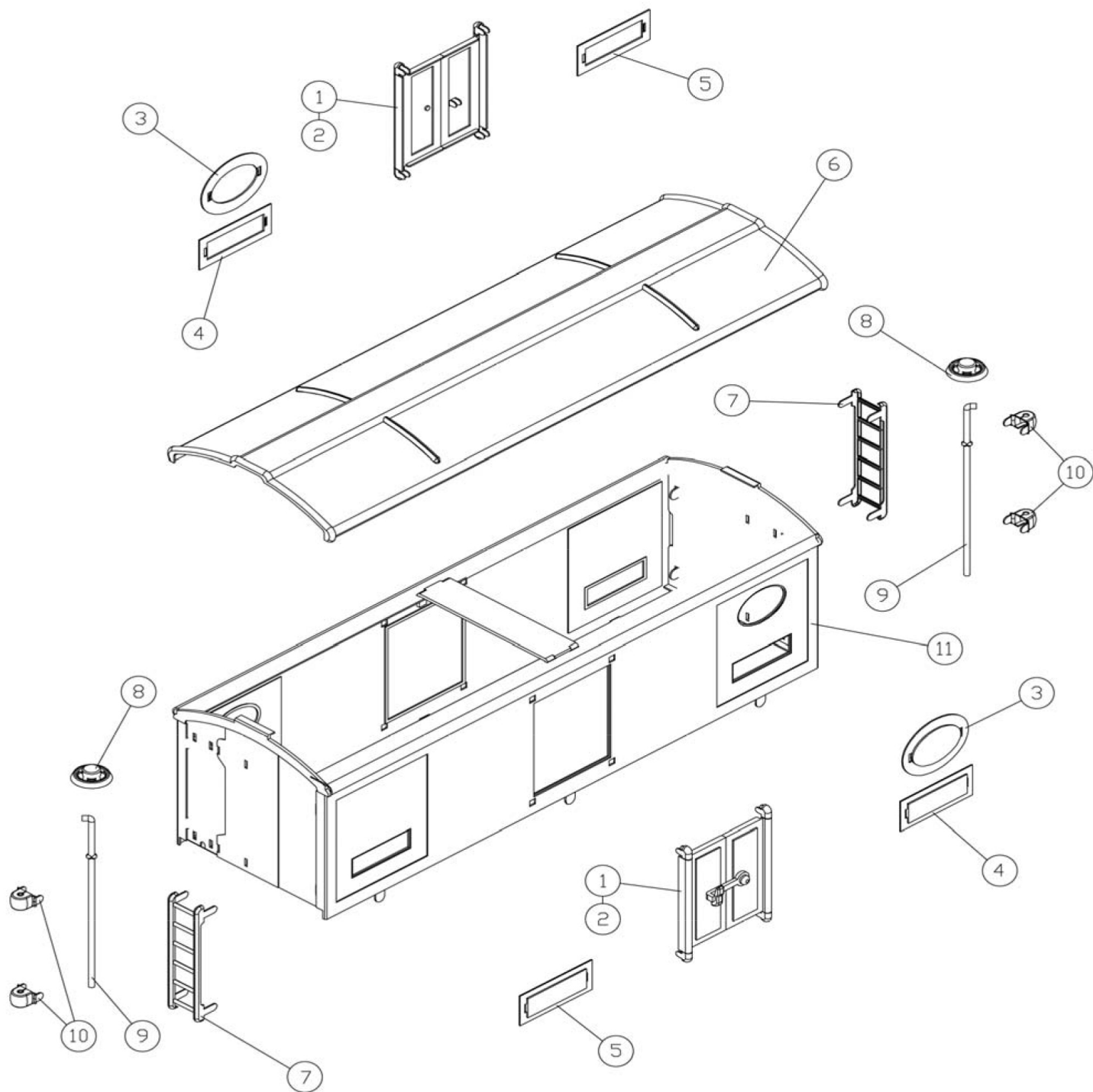
**PARTS LIST & EXPLODED VIEW**

REV. 12.2016

# PARTS LIST: NO. 2814R REEFER CAR BODY

1.) DOOR SET BRASS	<a href="#">TP-SF00032</a>
2.) DOOR SET NICKEL	<a href="#">TP-SF00033</a>
3.) BUILDERS PLATE	<a href="#">TP-2814R00001</a>
4.) SPECIFICATION PLATE A	<a href="#">TP-2814R00002</a>
5.) SPECIFICATION PLATE B	<a href="#">TP-2814R00003</a>
6.) ROOF	<a href="#">TP-OF00033</a>
7.) LADDER BRASS	<a href="#">TP-281400005</a>
7A.) LADDER NICKEL	<a href="#">TP-281400006</a>
8.) BRAKE WHEEL BRASS	<a href="#">TP-OF00010</a>
8A.) BRAKE WHEEL NICKEL	<a href="#">TP-OF00011</a>
9.) BRAKE WHEEL SHAFT BRASS	<a href="#">TP-OF00012</a>
9A.) BRAKE WHEEL SHAFT NICKEL	<a href="#">TP-OF00013</a>
10.) BRAKE WHEEL STANCHION BRASS	<a href="#">TP-SF00017</a>
10A.) BRAKE WHEEL STANCHION NICKEL	<a href="#">TP-SF00018</a>
11.) BODY ASS'Y	<a href="#">TP-2814R00004</a>

# EXPLODED VIEW: NO. 2814R REEFER CAR BODY



# PARTS LIST: NO. 2814R REEFER CAR CHASSIS

1.) FLOOR	<a href="#">TP-281400004</a>
2.) E-RING	<a href="#">TP-OT00013</a>
3.) BOLSTER	<a href="#">TP-281000030</a>
4.) WASHER	<a href="#">TP-OT00028</a>
5.) BOX COUPLER RIVET	<a href="#">TP-OT00012</a>
6.) BOX COUPLER	<a href="#">TP-OT00011</a>
7.) COUPLER LEVER	<a href="#">TP-281000032</a>
8.) TRUCK SIDE FRAME	<a href="#">TP-281000033</a>
9.) JOURNAL BOX BRASS	<a href="#">TP-MS00041</a>
9A.) JOURNAL BOX NICKEL	<a href="#">TP-MS00042</a>
9B.) JOURNAL BOX COPPER	<a href="#">TP-MS00043</a>
10.) WHEEL	<a href="#">TP-OT00029</a>
11.) WASHER	<a href="#">TP-OT00029</a>
12.) AXLE	<a href="#">TP-OT00010</a>
13.) AUTO BOX COUPLER ASS'Y	<a href="#">TP-281000034</a>
14.) TRUCK BRACE	<a href="#">TP-OT00026</a>
15.) TRUCK ASS'Y	<a href="#">TP-281000035</a>

# EXPLODED VIEW: NO. 2814R REEFER CAR CHASSIS

